

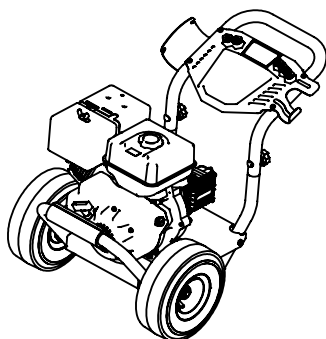
ITEM	PART NO	DESCRIPTION	QTY.	
1	7107250	FRAME, ALUMINUM BASE SVC ASSY WITH LABELS	1	
†	1.1	BASE TUBE, FORMED ALUMINUM FRAME 11.75" C-C	1	
†	1.2	PLATE, HORIZONTAL BASE FRAME, AL, 11.75" C-C	1	
†	1.3	SUB-FRAME, ALUMINUM HORIZONTAL 11.75" C-C	1	
†	1.4	BRACKET, AXLE HORIZONTAL	2	
†	1.5	AXLE, Ø .625 X 20.10	1	
†	1.6	BOLT, 5/16"-18 x 2 1/4"	4	
†	1.7	NUT, 5/16"-18 NYLOCK	5	
†	1.8	WASHER, SADDLE 5/16 X 1.0 X 0.060	2	
†	1.9	BOLT, 5/16"-18 X 3/4"	1	
2	7107251	HANDLE, REAR SERVICE ASSEMBLY WITH LABELS	1	
†	2.1	HANDLE TUBE, ALUMINUM 11.75" C-C	1	
†	2.2	PLATE DASHBOARD 11.75" C-C	1	
†	2.3	SCREW, 1/4-20 TORX HEAD	4	
†	2.4	HOLDER, NOZZLE 2PC RUBBER STRIP	1	
†	2.5	HOLDER, NOZZLE 3PC RUBBER STRIP	1	
3	7107269	ENGINE, HONDA GX200 RED/WHITE	1	
4	7107174	KEY, SHAFT 3/16 SQ X 1 1/4	1	
5	7106573	PUMP, SERVICE ASSEMBLY	1	
†	5.1	PUMP, 3200PSI@2.5GPM	1	
†	5.2	CAP, UNLOADER COVER	1	
†	5.3	BOLT, 5/16-24	4	
†	5.4	WASHER, SPLIT 5/16	4	
6	7105013	WHEEL, SERVICE KIT	2	
†	6.1	WHEEL, 10 X 4 BLACK	1	
†	6.2	WASHER, 5/8 FLAT	1	
†	6.3	CLIP, E-TYPE 0.625 X 0.042	1	
7	7107262	FOOT KIT, SERVICE KIT	2	
†	7.1	FOOT, RECESSED RUBBER INSERT	1	
†	7.2	SCREW, M6-1.0 X 31 TORX PANHEAD W/SHOULDER	1	
†	7.3	WASHER, 5/16 X .045	1	
†	7.4	SPRING, .875 X .600 WAVE TYPE	1	
8	7103750	HARDWARE KIT, ENGINE MOUNT	1	
†	8.1	BOLT, 5/16-18	4	
†	8.2	NUT, WHIZ 5/16-18	4	
9	7105474	HARDWARE KIT, PUMP MOUNT	1	
†	9.1	BOLT, 5/16-24 HHCS	4	
†	9.2	WASHER, 5/16 SPLIT LOCK	4	
10	7104570	HARDWARE KIT, HANDLE MOUNT	2	
†	10.1	BOLT, SADDLE 5/16-18	1	
†	10.2	KNOB, HANDLE 5/16-18	1	
11	7106671	HANDLE GRIP, KIT SIMPSON WHITE ON BLACK	1	
12	7104818	NOZZLE SET, 2.8 5PC	1	
13	7106275	GUN, 4500PSI @6.6GPM	1	
14	7103550	LANCE, 16IN 1/4QC M22(F)	1	
15	7107184	HOSE, 3700PSI 5/16 X 35FT GREY	1	
16	7102207	SOAP HOSE AND FILTER KIT	1	
*	17	7102045	TOOL, NOZZLE CLEANING UNIVERSAL	1
*	18	7107205	MANUAL, OPERATOR'S ALH3425 SPECIFIC	1
*	19	7107206	BOX, SHIPPING ALH3425 SPECIFIC	1

* NOT SHOWN

† NOT SOLD SEPARATELY

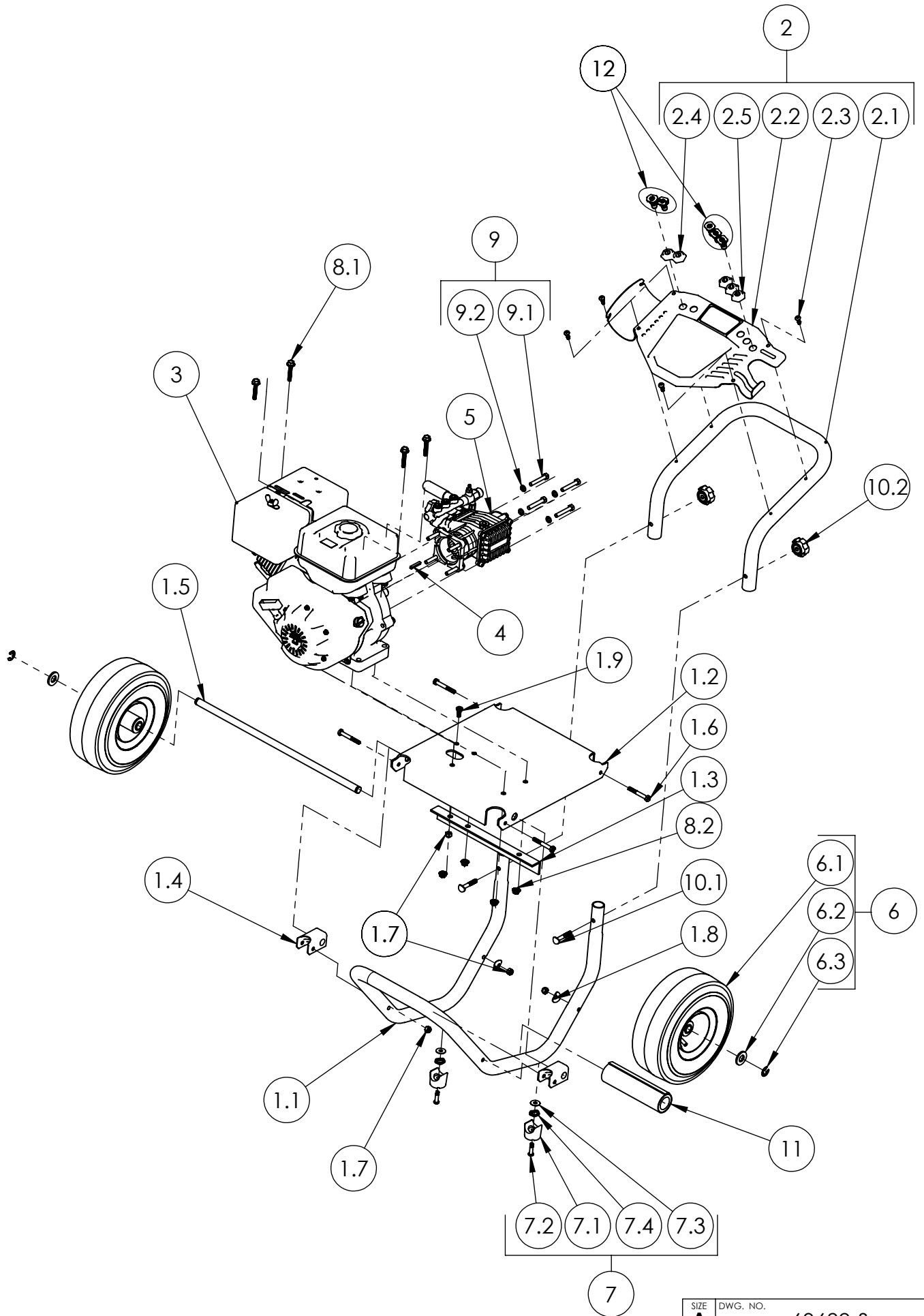
PUMP IDENTIFICATION TABLE

MACHINE SERIAL NO.	PUMP TYPE	PUMP PART NO.	PUMP KIT NO.
	PUMP, 3200PSI@2.5GPM	530001	7106573

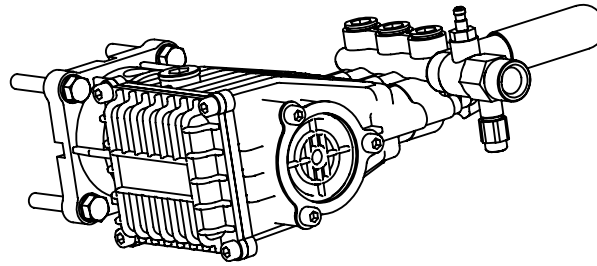


ONLY THE LATEST VERSION OF THE PUMP IS AVAILABLE FOR REPLACEMENT

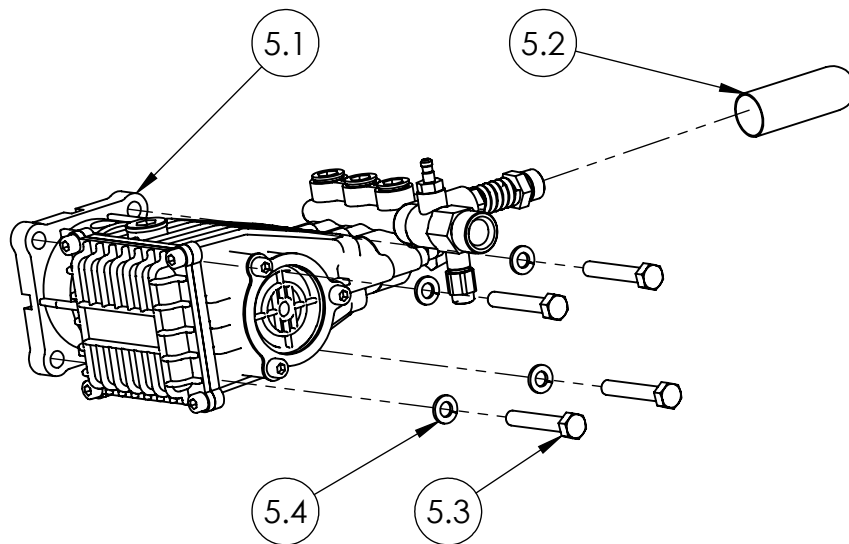
FNA-GROUP			TITLE:	
1265 INDUSTRIAL STREET, DECATUR, AR 72722			ALH3425	
DRAWN	NAME	DATE	SIZE	DWG. NO.
CHECKED	MG	10/10/2013	A	60689-S
ENG APPR.	SCW	10/10/2013	SCALE:	N/A
MFG APPR.	JCP	10/10/2013	ECN#	DC13-0262
Q.A. APPR.	KB	10/10/2013	SHEET 1 OF 9	
SERVICE APPR.	DH	10/08/2013	REV.	A
PROPRIETARY AND CONFIDENTIAL THE INFORMATION CONTAINED IN THIS DRAWING IS THE SOLE PROPERTY OF FNA-GROUP. ANY REPRODUCTION IN PART OR AS A WHOLE WITHOUT THE WRITTEN PERMISSION OF FNA-GROUP IS PROHIBITED.				



SIZE	DWG. NO.	REV.
A	60689-S	A
SCALE: N/A	ECN# DC13-0264	SHEET 2 OF 9



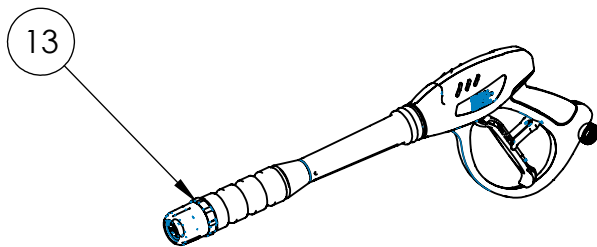
PUMP, SERVICE ASSEMBLY
PART NO. 7106573



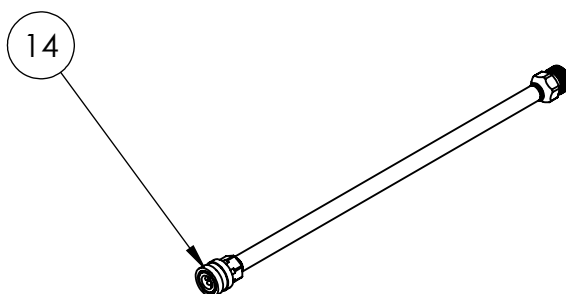
ITEM	PART NO	DESCRIPTION	QTY.
5.1	530001	PUMP, 3000PSI@2.3GPM	1
5.2		CAP, UNLOADER COVER	1
5.3		BOLT, 5/16-24	7
5.4		WASHER, SPLIT 5/16	4
* 4	7104174	BOLT, 5/16-24 X 1 HHCS	1

*

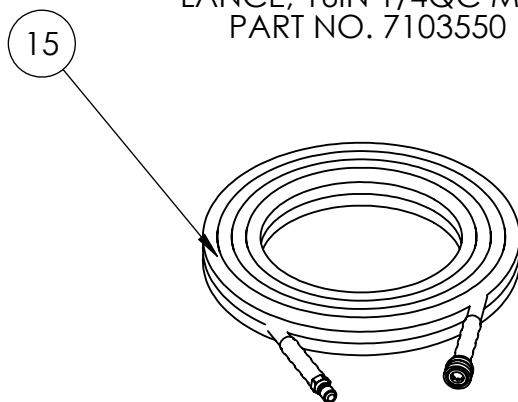
* NOT SHOWN



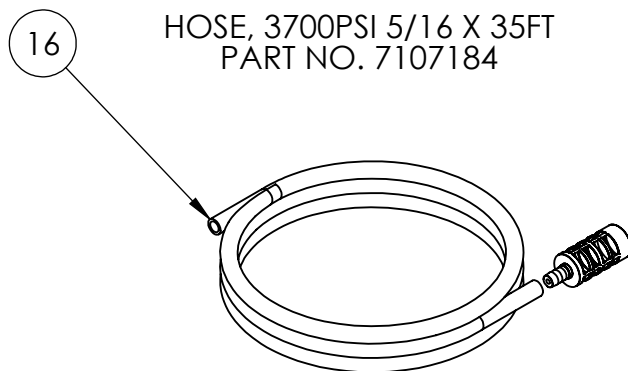
GUN, 4500PSI@6.6GPM M22(F)
PART NO. 7106275



LANCE, 16IN 1/4QC M22
PART NO. 7103550



HOSE, 3700PSI 5/16 X 35FT
PART NO. 7107184



SOAP HOSE AND FILTER KIT
PART NO. 7102207

SIZE A	DWG. NO. 60689-S	REV. A
SCALE: N/A	ECN# DC13-0264	SHEET 4 OF 9